

REMOTE MANUAL BYPASS SWITCH

3 - 100kVA, 1 PHASE

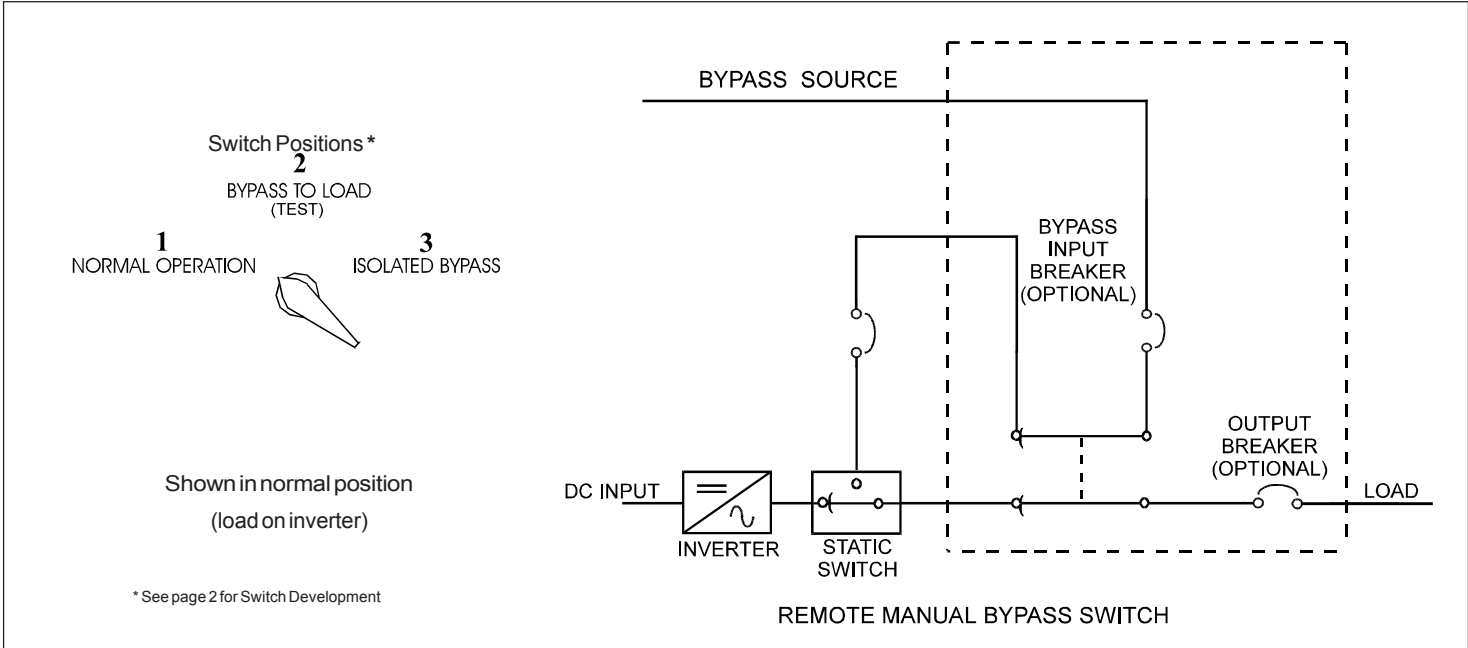
10 - 100kVA, 3 PHASE



- ◆ 3-Position: Offers Complete Isolation
- ◆ Make-Before-Break
- ◆ Industrial Grade
- ◆ NEMA-1 (IP-20) Wall Mounted Enclosure
- ◆ Long Life LED Indicators
- ◆ Wide Variety of Current and Voltage Ratings Available

(Consult Factory for Sizes Not Listed)

Solidstate Controls new RS series Remote Manual Bypass Switch (**RMBS**) is a 3-position switch that allows for complete isolation of a UPS or inverter in order to perform routine or emergency maintenance on the equipment. The load is temporarily transferred from the inverter (UPS) onto the bypass (alternate) AC power source. This make-before-break switch is designed to transfer between two in-sync sources to enable a zero-break transfer in both directions, so there is no disruption of power to the connected load(s).



GENERAL SPECIFICATIONS

Standard Features:

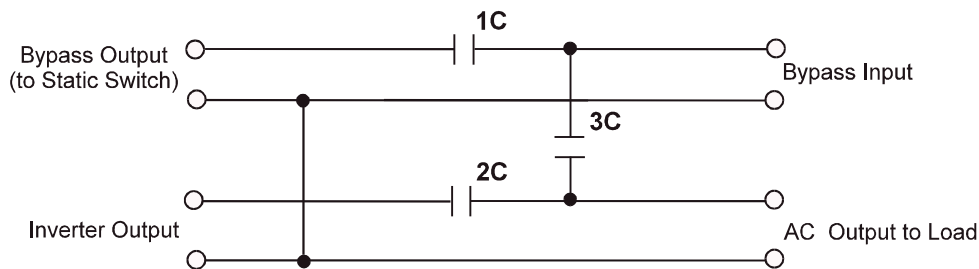
- ◆ Nema-1 (IP-20) wall mounted enclosure
- ◆ ANSI 61 Light Gray (Munsell 8.3G 6.1/0.53)
- ◆ 3-positions for complete isolation:
 - Normal-load fed from inverter (UPS)
 - Bypass (test)-load fed from bypass source through RMBS
 - Isolation-load fed from utility, completely isolating the RMBS and inverter
- ◆ Indicating lights for:
 - In-sync
 - Bypass source available
 - Normal source available
- ◆ Lamp test switch
- ◆ Clearance for top cable entry-contact factory for bottom entry requirements
- ◆ Power cable connections made to copper bus bars, allowing greater cable bending radius

Optional Features:

- ◆ Padlockable handle to lock switch in any position
- ◆ Solenoid (electronic) interlock to prevent switch operation if inverter and bypass source are not in sync
- ◆ Output circuit breaker *
- ◆ Bypass source input circuit breaker *
- ◆ Indicating light package; includes
 - Out-of-sync light
 - MBS position indication:
 - Switch in normal position
 - Switch in bypass (test) position
 - Switch in isolation position
- ◆ Meter with selector switch to indicate:
 - Normal source voltage
 - Bypass source voltage
 - Output voltage

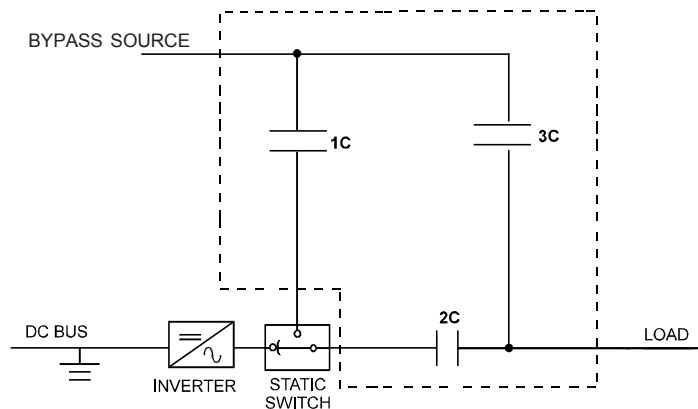
*GE Spectra Series Breakers: Available in high KAIC Ratings.

2 WIRE SWITCH DEVELOPMENT (from Page 1)



Contacts	Switch Position		
	Normal	Test	Bypass
1C	X	X	O
2C	X	O	O
3C	O	X	X

REMOTE MANUAL BYPASS SWITCH ONE LINE DIAGRAM



GENERAL SPECIFICATIONS

VOLATAGE	USP kVA RATING	MODEL NO.	NOMINAL CURRENT	SWITCH RATING*	ENCL. DIMS. H x W x D INCHES (MM)	WT LBS (Kg)	OPTIONAL BRKR RATINGS**
120 VAC, 1-PH	3	RS030MB-12	25	55A	24 x 24 x 10 (609 x 609 x 254)	85 (39)	40A
120 VAC, 1-PH	5	RS050MB-12	42	55A	24 x 24 x 10 (609 x 609 x 254)	85 (39)	60A
120 VAC, 1-PH	7.5	RS075MB-12	63	95A	24 x 24 x 10 (609 x 609 x 254)	85 (39)	80A
120 VAC, 1-PH	10	RS100MB-12	83	95A	24 x 24 x 10 (609 x 609 x 254)	85 (39)	125A
120 VAC, 1-PH	15	RS150MB-12	125	175A	28 x 24 x 15.5 (711 x 609 x 394)	100 (45)	175A
120 VAC, 1-PH	20	RS200MB-12	167	175A	28 x 24 x 15.5 (711 x 609 x 394)	100 (45)	225A
120 VAC, 1-PH	30	RS300MB-12	250	280A	34 x 32 x 17 (863 x 812 x 431)	150 (68)	350A
120 VAC, 1-PH	40	RS400MB-12	333	384A	34 x 32 x 17 (863 x 812 x 431)	150 (68)	450A
120 VAC, 1-PH	50	RS500MB-12	417	576A	34 x 32 x 17 (863 x 812 x 431)	160 (73)	600A
120 VAC, 1-PH	60	RS600MB-12	500	576A	34 x 32 x 17 (863 x 812 x 431)	175 (79)	Consult Factory
120 VAC, 1-PH	75	Consult Factory	625	For this information.....please consult the factory in Columbus, Ohio			
120 VAC, 1-PH	100	Consult Factory	833				
120/240, SPLIT PH	3	2RS030MB-24	13	55A	24 x 24 x 10 (609 x 609 x 254)	85 (39)	20A
120/240, SPLIT PH	5	2RS050MB-24	21	55A	24 x 24 x 10 (609 x 609 x 254)	85 (39)	30A
120/240, SPLIT PH	7.5	2RS075MB-24	31	55A	24 x 24 x 10 (609 x 609 x 254)	85 (39)	40A
120/240, SPLIT PH	10	2RS100MB-24	42	55A	24 x 24 x 10 (609 x 609 x 254)	85 (39)	60A
120/240, SPLIT PH	15	2RS150MB-24	63	95A	24 x 24 x 13 (609 x 609 x 330)	100 (45)	80A
120/240, SPLIT PH	20	2RS200MB-24	83	95A	24 x 24 x 13 (609 x 609 x 330)	100 (45)	125A
120/240, SPLIT PH	30	2RS300MB-24	125	175A	28 x 24 x 15.5 (711 x 609 x 393)	125 (57)	175A
120/240, SPLIT PH	40	2RS400MB-24	167	175A	28 x 24 x 15.5 (711 x 609 x 393)	125 (57)	225A
120/240, SPLIT PH	50	2RS500MB-24	208	240A	34 x 32 x 17 (864 x 813 x 432)	150 (68)	250A
120/240, SPLIT PH	60	2RS600MB-24	250	384A	34 x 32 x 17 (863 x 812 x 431)	175 (79)	Consult Factory
120/240, SPLIT PH	75	2RS750MB-24	313	384A	34 x 32 x 17 (863 x 812 x 431)	175 (79)	Consult Factory
120/240, SPLIT PH	100	For this information.....please consult the factory in Columbus, Ohio					
220, 1-PH	3	RS030MB-22	14	55A	24 x 24 x 10 (609 x 609 x 254)	85 (39)	20A
220, 1-PH	5	RS050MB-22	23	55A	24 x 24 x 10 (609 x 609 x 254)	85 (39)	30A
220, 1-PH	7.5	RS075MB-22	34	55A	24 x 24 x 10 (609 x 609 x 254)	85 (39)	50A
220, 1-PH	10	RS100MB-22	45	55A	24 x 24 x 10 (609 x 609 x 254)	85 (39)	60A
220, 1-PH	15	RS150MB-22	68	95A	24 x 24 x 10 (609 x 609 x 254)	100 (45)	90A
220, 1-PH	20	RS200MB-22	91	95A	28 x 24 x 15.5 (711 x 609 x 394)	100 (45)	125A
220, 1-PH	30	RS300MB-22	136	175A	28 x 24 x 15.5 (711 x 609 x 394)	150 (68)	175A
220, 1-PH	40	RS400MB-22	182	280A	24 x 24 x 13 (609 x 609 x 330)	150 (68)	225A
220, 1-PH	50	RS500MB-22	227	280A	34 x 32 x 17 (863 x 812 x 431)	175 (79)	300A
220, 1-PH	60	RS600MB-22	273	280A	34 x 32 x 17 (863 x 812 x 431)	175 (79)	Consult Factory
220, 1-PH	75	RS750MB-22	341	384A	34 x 32 x 17 (863 x 812 x 431)	175 (79)	Consult Factory
220, 1-PH	100	RS1000MB-22	455	576A	34 x 32 x 17 (863 x 812 x 431)	175 (79)	Consult Factory

GENERAL SPECIFICATIONS

VOLATAGE	USP kVA RATING	MODEL NO.	NOMINAL CURRENT	SWITCH RATING*	ENCL. DIMS. H x W x D INCHES (MM)	WT LBS (Kg)	OPTIONAL BRKR RATINGS**
208/120, 3-PH	10	3RS100MB-20	28	55A	24 x 24 x 13 (609 x 609 x 330)	100 (45)	40A
208/120, 3-PH	15	3RS150MB-20	42	55A	24 x 24 x 13 (609 x 609 x 330)	100 (45)	60A
208/120, 3-PH	20	3RS200MB-20	56	95A	24 x 24 x 13 (609 x 609 x 330)	100 (45)	70A
208/120, 3-PH	30	3RS300MB-20	83	95A	24 x 24 x 13 (609 x 609 x 330)	125 (57)	125A
208/120, 3-PH	40	3RS400MB-20	111	175A	24 x 24 x 14 (609 x 609 x 356)	125 (57)	150A
208/120, 3-PH	50	3RS500MB-20	139	175A	24 x 24 x 14 (609 x 609 x 356)	125 (57)	175A
208/120, 3-PH	60	3RS600MB-20	167	175A	28 x 24 x 15.5 (711 x 609 x 393)	165 (75)	225A
208/120, 3-PH	75	3RS750MB-20	208	240A	34 x 32 x 17 (864 x 813 x 432)	165 (75)	250A
208/120, 3-PH	100	3RS1000MB-20	278	384A	34 x 32 x 20 (864 x 813 x 508)	165 (75)	350A
380/220, 3-Phase	10	3RS100MB-38	15	55A	24 x 24 x 13 (609 x 609 x 330)	100 (45)	20A
380/220, 3-Phase	15	3RS150MB-38	23	55A	24 x 24 x 13 (609 x 609 x 330)	100 (45)	30A
380/220, 3-Phase	20	3RS200MB-38	30	55A	24 x 24 x 13 (609 x 609 x 330)	100 (45)	40A
380/220, 3-Phase	30	3RS300MB-38	46	55A	24 x 24 x 13 (609 x 609 x 330)	125 (57)	60A
380/220, 3-Phase	40	3RS400MB-38	61	95A	24 x 24 x 13 (609 x 609 x 330)	125 (57)	80A
380/220, 3-Phase	50	3RS500MB-38	76	95A	24 x 24 x 13 (609 x 609 x 330)	125 (57)	100A
380/220, 3-Phase	60	3RS600MB-38	91	95A	24 x 24 x 13 (609 x 609 x 330)	165 (75)	125A
380/220, 3-Phase	75	3RS750MB-38	114	175A	24 x 24 x 14 (610 x 609 x 356)	165 (75)	150A
380/220, 3-Phase	100	3RS1000MB-38	152	175A	28 x 24 x 15.5 (711 x 609 x 393)	165 (75)	200A
480/277, 3-Phase	10	3RS100MB-48	12	55A	24 x 24 x 13 (609 x 609 x 330)	100 (45)	20A
480/277, 3-Phase	15	3RS150MB-48	18	55A	24 x 24 x 13 (609 x 609 x 330)	100 (45)	25A
480/277, 3-Phase	20	3RS200MB-48	24	55A	24 x 24 x 13 (609 x 609 x 330)	100 (45)	40A
480/277, 3-Phase	30	3RS300MB-48	36	55A	24 x 24 x 13 (609 x 609 x 330)	125 (57)	50A
480/277, 3-Phase	40	3RS400MB-48	48	55A	24 x 24 x 13 (609 x 609 x 330)	125 (57)	70A
480/277, 3-Phase	50	3RS500MB-48	60	95A	24 x 24 x 13 (609 x 609 x 330)	125 (57)	80A
480/277, 3-Phase	60	3RS600MB-48	72	95A	24 x 24 x 13 (609 x 609 x 330)	165 (75)	100A
480/277, 3-Phase	75	3RS750MB-48	90	95A	24 x 24 x 13 (609 x 609 x 330)	165 (75)	125A
480/277, 3-Phase	100	3RS1000MB-48	120	175A	28 x 24 x 15.5 (609 x 609 x 330)	165 (75)	175A

* Denotes
U.L. Rating

**GE Spectra
Series Breakers



Specifications subject to change without notice

The Columbus, Ohio facility
is ISO 9001 Certified

World Headquarters
875 Dearborn Drive - Columbus, OH 43085
Phone: 1-614-846-7500 1-800-635-7300
Fax: 1-614-885-3990

Latin American/South American Headquarters
Olive 1954, 2000 Rosario, Argentina
Phone: +54-341-455-3332
Fax: +54-341-454-0142

Asia Pacific Headquarters
AMETEK Singapore Office
Solidstate Controls
43 Changi South Ave 2 #04-01
Singapore 486164
Phone: 65-6484-2388 Fax: 65-6481-6588

Mexico Office
Calle Lago Meru
No. 32 3rd Floor
Mexico City, Mexico 11520 D.F.
Phone: +52-555-250-1232
Fax: +52-555-250-7981

Visit our websites:

English-www.solidstatecontrolsinc.com -Nuclear-www.nuclearups.com -Spanish-www.solidstatecontrolsinc-esp.com
Russian-www.solidstatecontrolsinc-ru.com Chinese-www.solidstatecontrolsinc-chn.com
Brazilian Portuguese-www.solidstatecontrolsinc-br.com